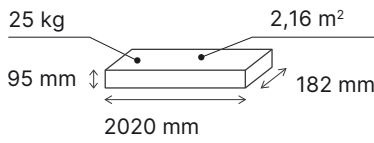
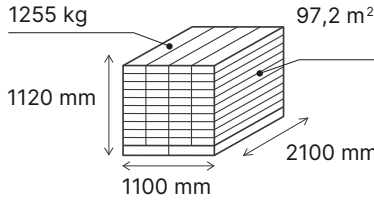


HARDWOOD FLOORING




TECHNICAL DETAILS

Notes:	In Stock	Pattern: Plank		Color: Satin Bespoke
---------------	----------	-----------------------	---	-----------------------------

PRODUCT INFO		PACKAGING		STRUCTURE
Species	White European Oak	BOX		2-layer Engineered Construction * Solid wood 4 mm ** Plywood *** * High Balance and Stability ** Saw Cut White European Oak *** Birch water resistant plywood
Finish	Silk L			
Structure	Engineered (2-layer)			
Joint	T&G			
Bevel	1,5 mm (long side only)			
Surface	Light Brush	PALLET		
Grade	Character			
DIMENSIONS				
Thickness	15,5 mm			
Width	180 mm			
Row Length	2000 mm			
Shorts	-			

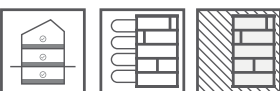
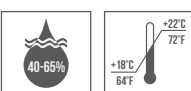
FINISH

Sheen \ Gloss	Semi-Matte	Description <table border="1"> <tr> <td>natural wood</td> <td>small burls</td> </tr> <tr> <td>authentic natural</td> <td>nice texture</td> </tr> <tr> <td>mild</td> <td>color variation</td> </tr> <tr> <td>moderate</td> <td>some sapwood</td> </tr> <tr> <td>medullary spots</td> <td>restored knots</td> </tr> </table> <p>Character Grade creates an effect of antique wood and emphasizes authentic natural oak texture. Planks may contain diverse color variation, sapwood, unlimited burls, brown streaks, tight knots and properly filled open knots, warm holes as well as other imperfections in the face work (torn grain) to design advantage.</p> 	natural wood	small burls	authentic natural	nice texture	mild	color variation	moderate	some sapwood	medullary spots	restored knots
natural wood	small burls											
authentic natural	nice texture											
mild	color variation											
moderate	some sapwood											
medullary spots	restored knots											
Look	Semi-open pores, wire brushed											
Feeling	Transfer warmth of natural wood											
Type	LED cured oil											
Wear resistance	High											
Scratch resistance	n/a											
Slip resistance	n/a											
Resistance to chemical agents	n/a											
Maintenance	Maintenance free											
Repairability	Easy											

TECHNICAL INFORMATION

Characteristics (EN 14342)		Deviations (EN 13489)	
Formaldehyde emission class	E1; ULEF	Deviation on Thickness	0,2 mm
Pentachlorophenol content	None	Deviation on Width	0,2 mm
Thermal resistance	0,118 m2 K\W	Height Difference	0,2 mm
Thermal conductivity	0,161 W\ (m K)	Cup	<0,2% of width
Fire resistance	Dfl-s1	Bow	<0,5% of length
		Spring	<0,1% of length

PRODUCT USE

INSTALLATION	STORAGE & USE
 <p>Glue down over concrete, plywood or wooden subfloor or nail down over wooden subfloor. Semifloating installation as well. Applicable above, on and below ground level. Suitable for underfloor heating.</p>	 <p>Air Humidity 40-65% Temperature +18°C ... +22°C (64°F ... 72°F)</p>

CARE & MAINTENANCE

<p>Maintenance of hardwood floors with UV Silk assumes normal (daily if necessary) cleaning from dust and grit using a vacuum, followed by a thorough cleaning with floor cleaner. Floor surface areas that receive the most traffic and get worn down quicker, such as areas by the front door, hallways, kitchens etc. should be periodically renewed with oil.</p>	<p>Flooring colors displayed in digital platforms may vary according to the color settings of the monitor you are using.</p>
---	--